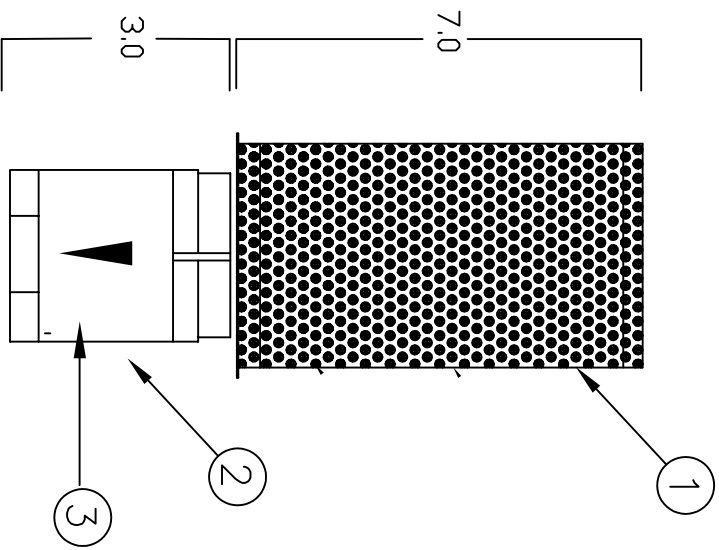


1	FS SERIES DUAL STAGE FILTER SILENCER
2	CHVA SERIES VACUUM BREAKER VALVE
3	BRONZE BODY AND S.S. SPRING (0.2 PSI)



**PERFORMANCE RATING**

- opens to relieve pressure at less than 2" hg
- valve will pass 85 gpm with a pressure drop of 1 psi

**PRINCIPLE OF OPERATION:**

- is designed to protect Auxiliary Supply Tanks (ie. Day Tanks) from negative pressure build up which may occur due to venting of the tanks.
- is installed at highest point of fuel oil return / overflow line

<b>ALBANY PUMP CO. LTD.</b>	
DRWN. DAK	320 OAKDALE ROAD
DATE 10/10/2007	DOWNSVIEW, ONT. CANADA M3N 1W5
SCALE NONE	
CHK'D	DRWG# VB-200