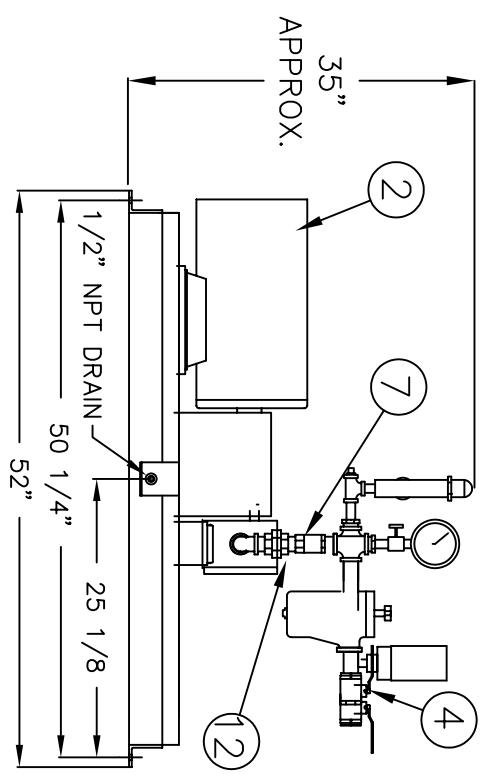
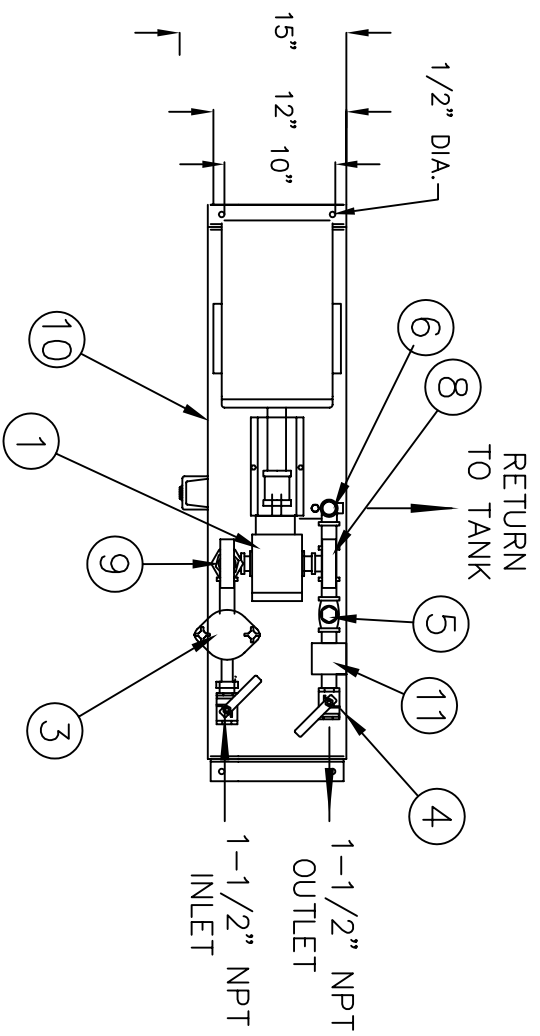


APPROVALS



NO.	DESCRIPTION	MFG	QUAN.
1	PUMP MODEL# 35GB1141	ALBANY	1
2	HP V PH HZ RPM TEFC T FR. MOTOR	---	1
3	SIMPLEX BASKET STRAINER 1.5" NPT C/W 60 MESH S.S.	ALBANY	1
4	BALL VALVE 1-1/2" NPT		2
5	CHECK VALVE 1-1/2" NPT	UNITED	1
6	RELIEF VALVE 1-1/4" NPT	FULFLO	1
7	INLINE CHECK VALVE 1-1/2" NPT	---	---
8	PRESSURE GAUGE 100 MM DIA.	WINTERS	1
9	COMPOUND GAUGE 100 MM DIA. 30"-0-30 PSI	WINTERS	1
10	15" CHANNEL BASE WITH 2" DRIP LIP (WITH DRAIN) UNDER PUMP AND STRAINER	ALBANY	1
11	HIGH PRESSURE SHUT OFF SWITCH WITH SNUBBER	ASCO	1
12	ALL 1-1/2" NPT PIPING EXCEPT RELIEF VALVE (1-1/4")	---	---

UNIT ADHERES TO CSA-B139 SPECIFICATION

LIQUID DIESEL FUEL OIL
 CAPACITY 35 USGPM MAX
 PRESSURE 150 PSI MAX
 VISCOSITY 50 SSU
 SUCTION 20 FT. MAX.

SEE SEPARATE DRAWING FOR CONTROL PANEL

ALBANY PUMP CO. LTD.

DRWN. SMB 420 HARRY WALKER PARKWAY
 NEW MARKET, ONT. CANADA L3Y 8P5

DATE 9/26/2006
 SCALE NONE

CHK'D

SIMPLEX FUEL OIL UNIT
 FOSIM/35GC/BS

MODEL# FOSIM/35GC/BS